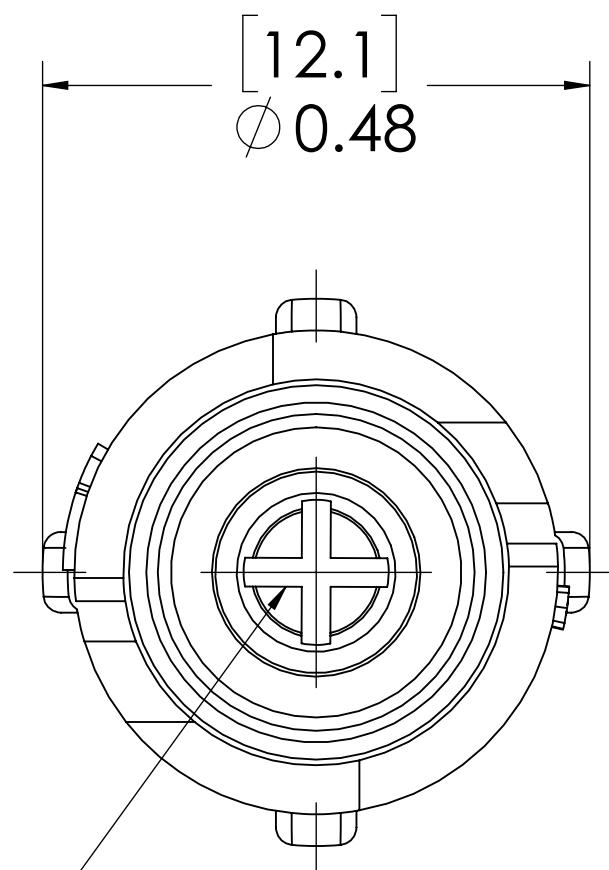
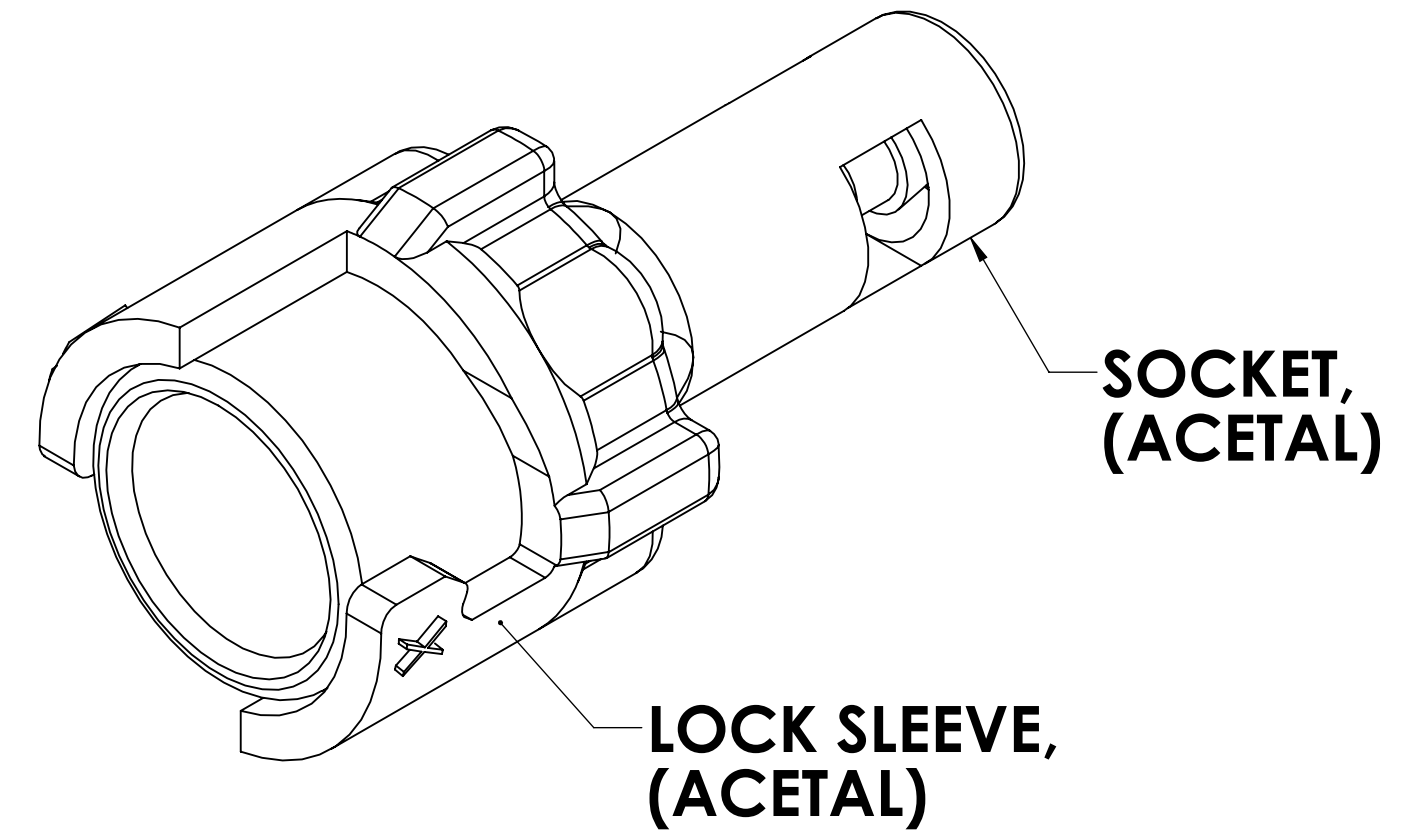


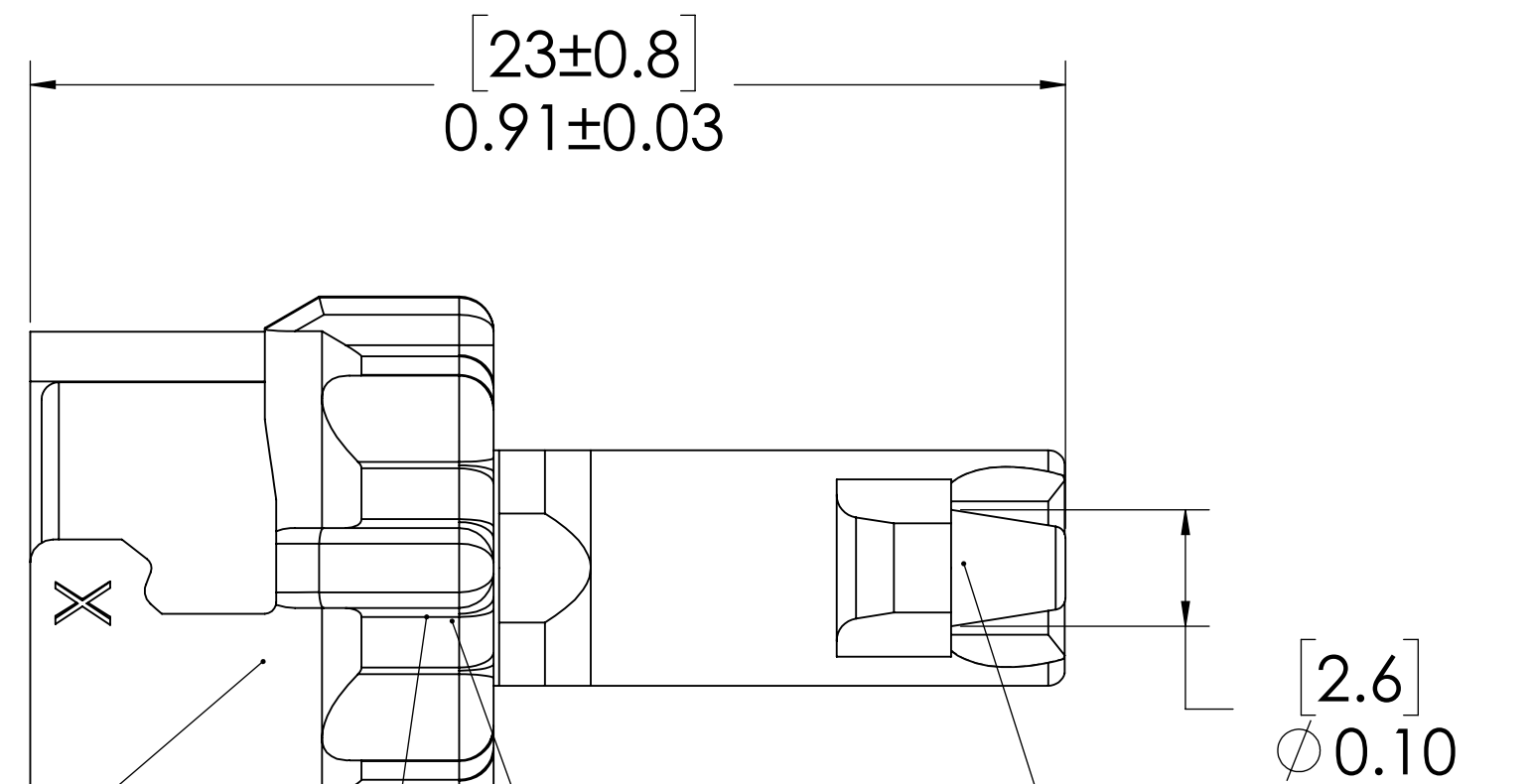
REVISIONS						
SHEET	ZONE	REV.	ECO	DESCRIPTION	DATE	APPROVED
1	ALL	A	50307	INITIAL RELEASE	2/18/2020	HRC



**VALVE, INTERNAL (ACETAL)**

**VALVE CAP, INTERNAL (STAINLESS STEEL)**

**VALVE O-RING, INTERNAL (BUNA-N)**



**VALVE SPRING, INTERNAL (STAINLESS STEEL)**

**NOTES:**

1. MATERIAL: ACETAL
2. COLOR: BLACK
3. O-RING MATERIAL: BUNA-N
4. O-RINGS LUBRICATED WITH FOOD GRADE SILICONE OIL, 350 CST.

**FOR REFERENCE ONLY**

<small>UNLESS OTHERWISE SPECIFIED: DIMENSIONS ARE IN INCHES TOLERANCES: FRACTIONAL ± 1/32 ANGULAR: MACH ± 0.5 BEND ± 2 ONE PLACE DECIMAL ± 0.1 TWO PLACE DECIMAL ± 0.01 THREE PLACE DECIMAL ± 0.005 TWO PLACE DUAL (mm) [± 0.12]</small>	DRAWN	RDA	1/27/2020	
	CHECKED	HRC	1/20/2020	
	ENG APPR.	HRC	2/18/20	
	MFG APPR.	BDB	2/18/20	
<small>PROPRIETARY AND CONFIDENTIAL THE INFORMATION CONTAINED IN THIS DRAWING IS THE SOLE PROPERTY OF LINKTECH LLC. ANY REPRODUCTION OR DISCLOSURE IN PART OR AS A WHOLE WITHOUT THE WRITTEN PERMISSION OF LINKTECH LLC IS STRICTLY PROHIBITED.</small>	PURCHASING	LS	2/18/20	<b>PART NO: 10ACV-SB2-01BLK</b> <b>DESCRIPTION: LinkTech 10AC Series Straight Female, Valved, 1/16" HB, Black Acetal</b>
<small>SCALE: NTS WEIGHT:</small>		<small>SHEET 1 OF 1</small>		<small>SIZE DWG. NO. REV</small> <b>C 10AC100118 A</b>